

**SUMMIT**™

**2196 ANSI**



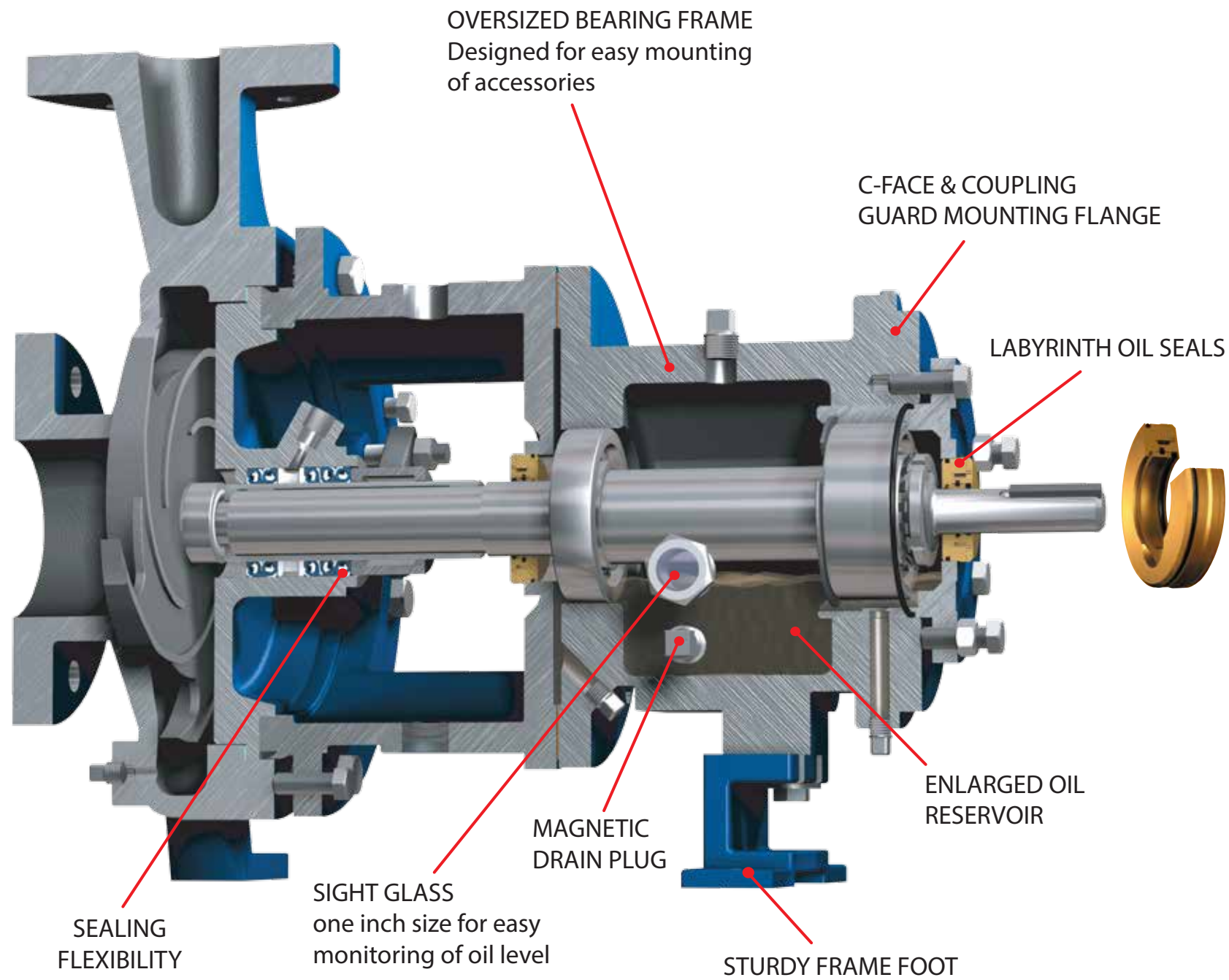
**ANSI Dimensional  
Model 2196**



**SUMMIT**™  
**PUMP, Inc**

[www.SUMMITPUMP.com](http://www.SUMMITPUMP.com)

© 2016 SUMMIT PUMP Inc

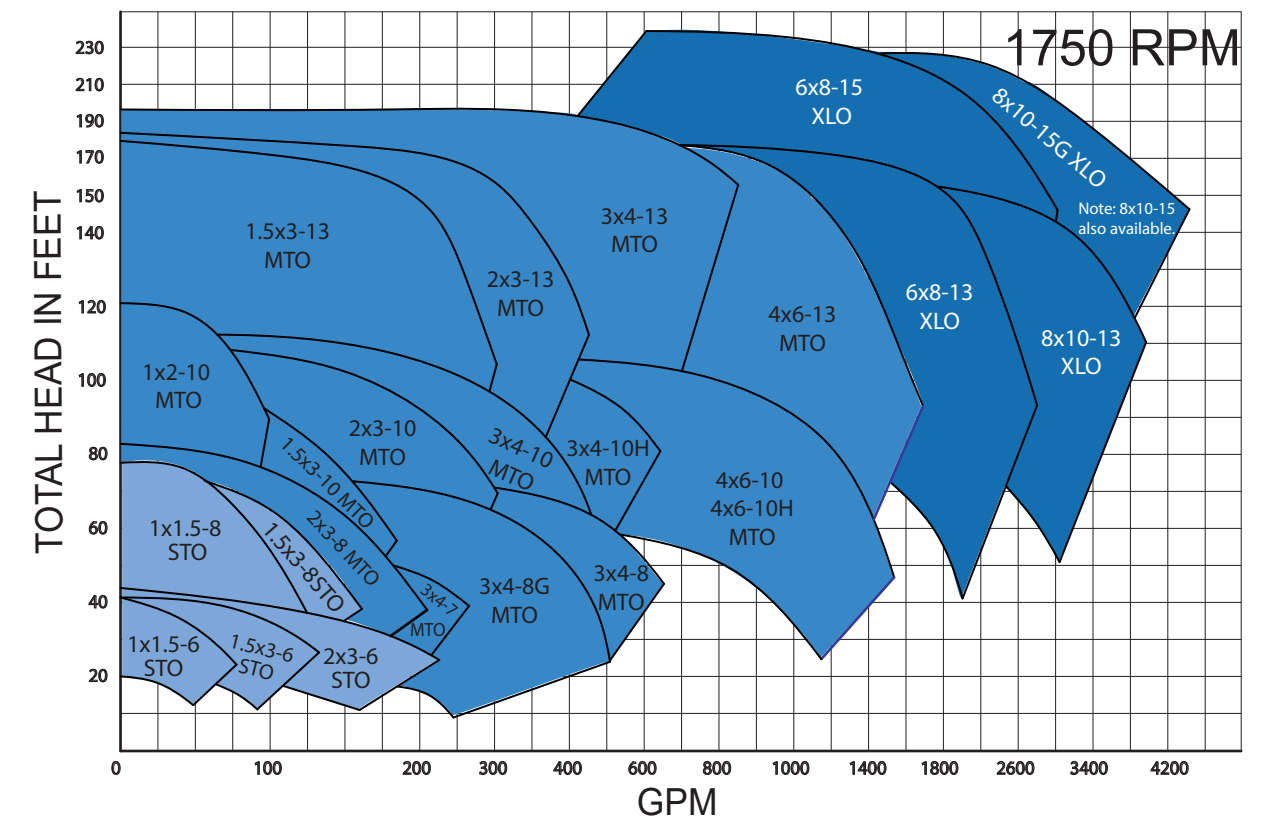
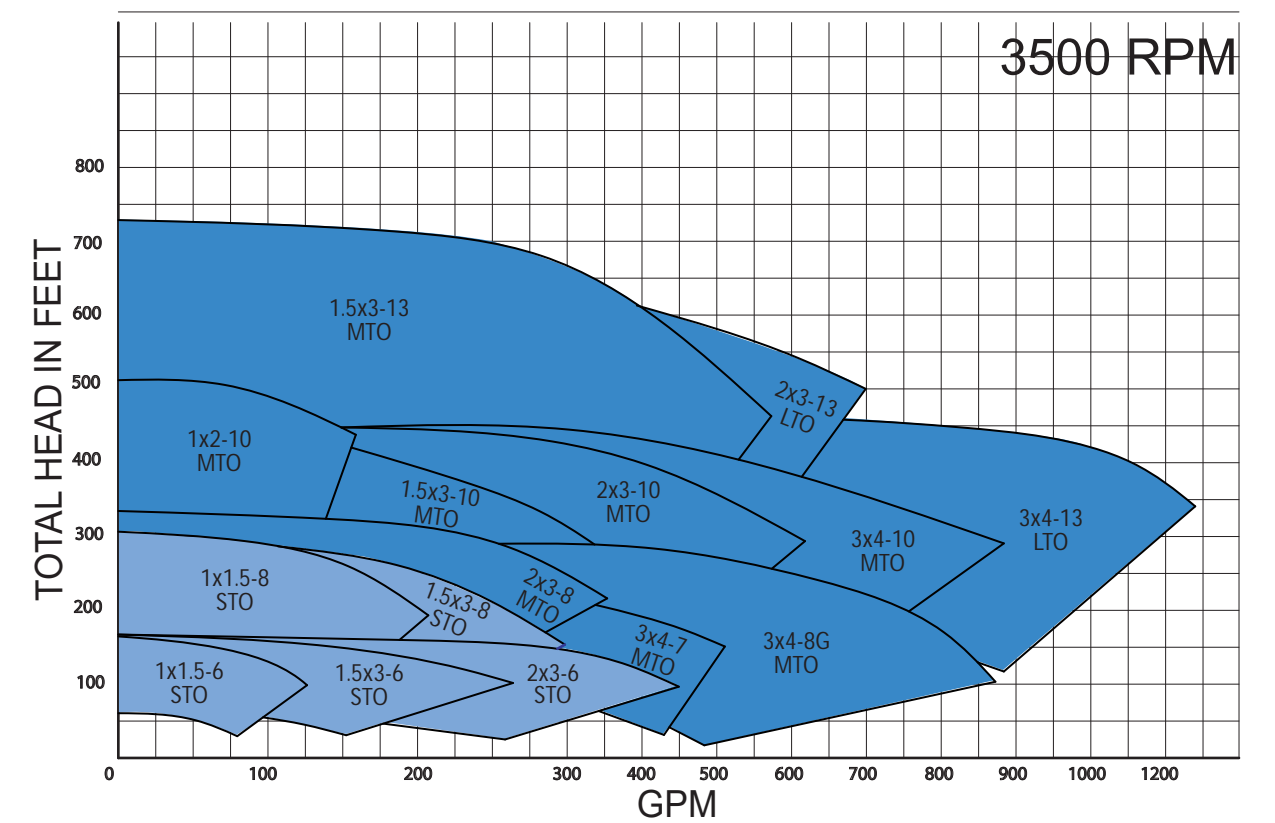


OPTIONAL: FINNED-TUBE OIL COOLER Can be installed in field



**SUMMIT™**  
**PUMP, Inc**

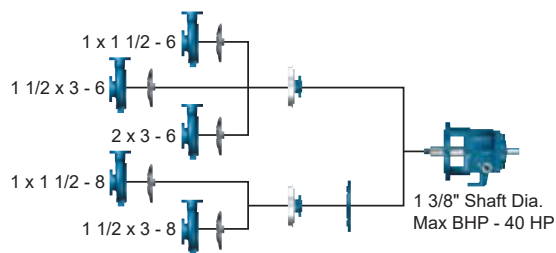
www.SUMMITPUMP.com



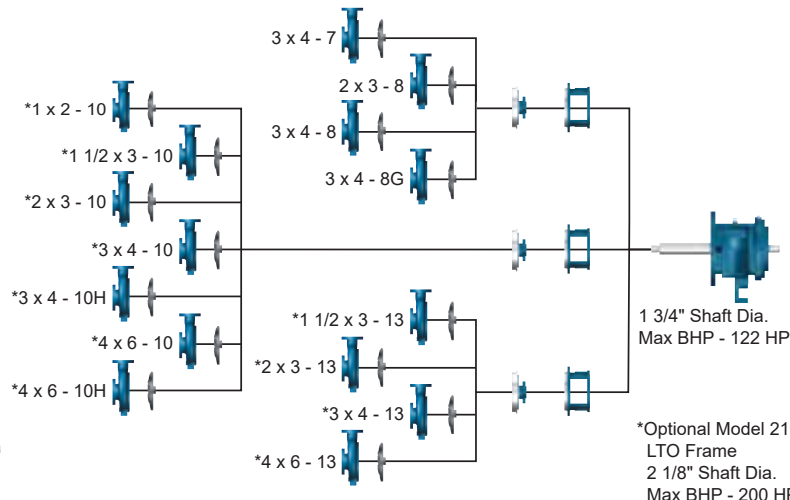
Note: Performance & Sizing curves are provided for reference only. For specific information, contact your distributor or the manufacturer.

# Model 2196 Interchangeability and Dimensional Data

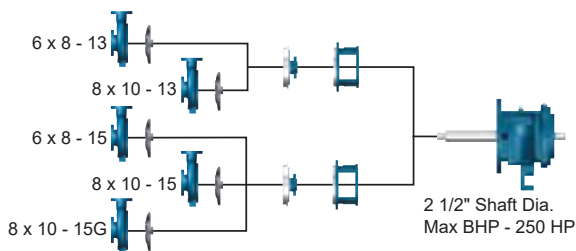
## Model 2196 STO



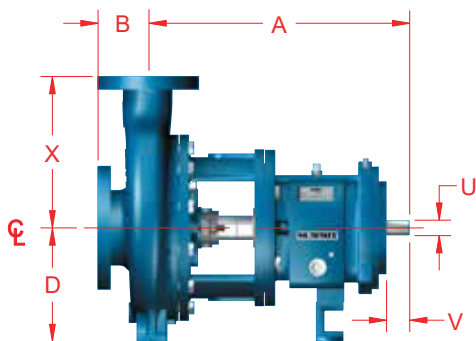
## Model 2196 MTO



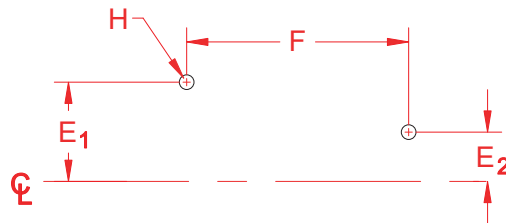
## Model 2196 XLO



\*Optional Model 2196 LTO Frame  
2 1/8" Shaft Dia.  
Max BHP - 200 HP



## TOP VIEW



| PUMP FRAME | ANSI | SIZE |     |     | X      | D      | B | A      | SP    | FOOT PATTERN |       |        |     | SHAFT     |              |       | APPROX. BARE PUMP WT. (LBS.) |
|------------|------|------|-----|-----|--------|--------|---|--------|-------|--------------|-------|--------|-----|-----------|--------------|-------|------------------------------|
|            |      | DIS  | SUC | IMP |        |        |   |        |       | E1           | E2    | F      | H   | U         | KEYWAY       | V     |                              |
| STO        | AA   | 1    | 1.5 | 6   | 6 1/2  | 5 1/4  | 4 | 13 1/2 | 3 3/4 | 3            | 0     | 7 1/4  | 5/8 | .875      | 3/16 X 3/32  | 2     | 85                           |
|            | AB   | 1.5  | 3   | 6   |        |        |   |        |       |              |       |        |     |           |              |       | 90                           |
|            |      | 2    | 3   | 6   |        |        |   |        |       |              |       |        |     |           |              |       | 95                           |
|            | AA   | 1    | 1.5 | 8   |        |        |   |        |       |              |       |        |     |           |              |       | 100                          |
|            | AB   | 1.5  | 3   | 8   | 110    |        |   |        |       |              |       |        |     |           |              |       |                              |
| MTO        | A60  | 2    | 3   | 8   | 9 1/2  | 8 1/4  | 4 | 19 1/2 | 3 3/4 | 4 7/8        | 3 5/8 | 12 1/2 | 5/8 | MTO 1.125 | MTO 1/4X1/80 | 2 5/8 | 200                          |
|            | A70  | 3    | 4   | 8   | 11     |        |   |        |       |              |       |        |     |           |              |       | 220                          |
|            | A70  | 3    | 4   | 8G  | 11     |        |   |        |       |              |       |        |     |           |              |       | 220                          |
|            | A05  | 1    | 2   | 10  | 8 1/2  |        |   |        |       |              |       |        |     |           |              |       | 200                          |
|            | A50  | 1.5  | 3   | 10  | 8 1/2  |        |   |        |       |              |       |        |     |           |              |       | 220                          |
|            | A60  | 2    | 3   | 10  | 9 1/2  |        |   |        |       |              |       |        |     |           |              |       | 230                          |
|            | A70  | 3    | 4   | 10  | 11     |        |   |        |       |              |       |        |     |           |              |       | 265                          |
|            | A40  | 3    | 4   | 10H | 12 1/2 |        |   |        |       |              |       |        |     |           |              |       | 275                          |
|            | A80  | 4    | 6   | 10  | 13 1/2 |        |   |        |       |              |       |        |     |           |              |       | 305                          |
|            | A80  | 4    | 6   | 10H | 13 1/2 |        |   |        |       |              |       |        |     |           |              |       | 305                          |
| LTO        | A20  | 1.5  | 3   | 13  | 10 1/2 | 10     | 4 | 27 7/8 | 5 1/4 | 8            | 4 1/2 | 18 3/4 | 7/8 | LTO 1.875 | LTO 1/2X1/4  | 4     | 245                          |
|            | A30  | 2    | 3   | 13  | 11 1/2 |        |   |        |       |              |       |        |     |           |              |       | 275                          |
|            | A40  | 3    | 4   | 13  | 12 1/2 |        |   |        |       |              |       |        |     |           |              |       | 330                          |
|            | A80  | 4    | 6   | 13  | 13 1/2 |        |   |        |       |              |       |        |     |           |              |       | 405                          |
|            | A90  | 6    | 8   | 13  | 16     |        |   |        |       |              |       |        |     |           |              |       | 560                          |
|            | A100 | 8    | 10  | 13  | 18     |        |   |        |       |              |       |        |     |           |              |       | 670                          |
| XLO        | A110 | 6    | 8   | 15  | 18     | 14 1/2 | 6 | 27 7/8 | 5 1/4 | 8            | 4 1/2 | 18 3/4 | 7/8 | 2.375     | 5/8 X 5/16   | 4     | 610                          |
|            | A120 | 8    | 10  | 15  | 19     |        |   |        |       |              |       |        |     |           |              |       | 740                          |
|            | A120 | 8    | 10  | 15G | 19     |        |   |        |       |              |       |        |     |           |              |       | 710                          |
|            |      | 4    | 6   | 17  | 16     |        |   |        |       |              |       |        |     |           |              |       | 660                          |
|            |      | 6    | 8   | 17  | 18     |        |   |        |       |              |       |        |     |           |              |       | 735                          |
|            |      | 8    | 10  | 17  | 19     |        |   |        |       |              |       |        |     |           |              |       | 840                          |