

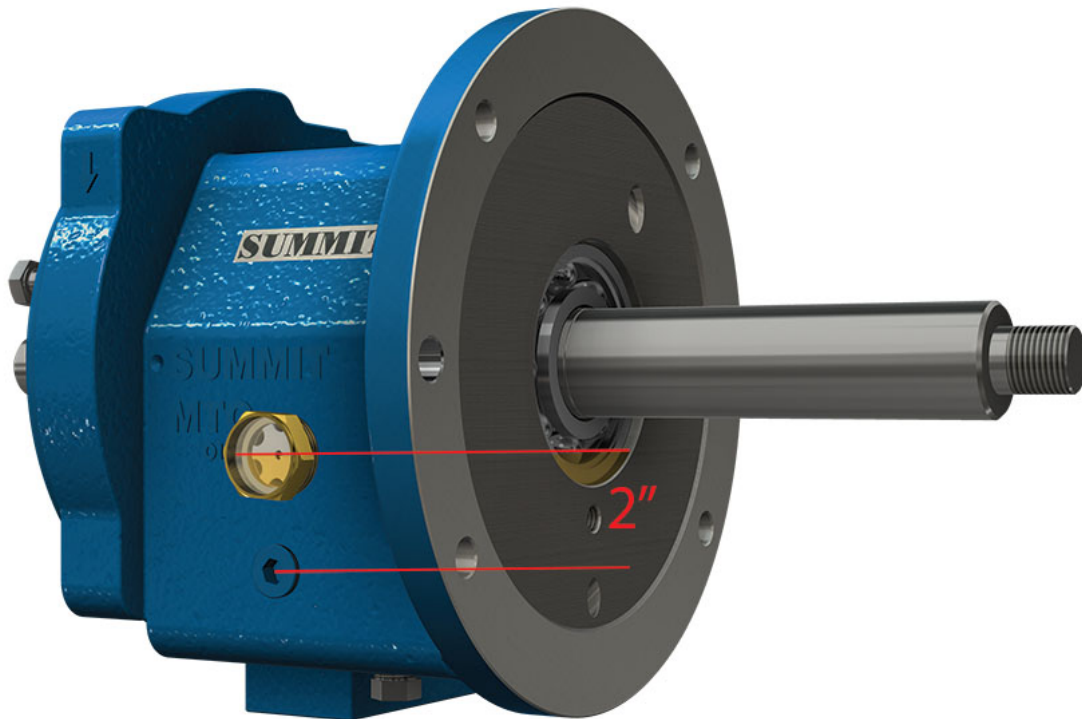


[ANSI 2196 Sight Glass Location](#)

We have recently had a field incident with one of our ANSI pumps; the customer required the oil sight glass to be moved to the opposite side of the pump due to a limited sight issue created by obstructions on the right side. Without consulting the distributor or Summit Pump, they removed the sight glass from the right side of the pump and installed it on the left side. They did this by removing an existing plug.

The pump subsequently failed. What did they do wrong?

The plug on the left side of the pump is for the oil cooler option and was in this case two (2) inches lower than the proper sight glass height. The oil level was now well below the bottom of the bearings, causing them to fail due to a lack of lubrication.



If you need the sight glass on the left side of the pump, we need to drill and tap the penetration at the proper location. See engineering for assistance.

One more thing...

Pumps, shaft kits and rotors in storage *should* be rotated by hand at least once a quarter to mitigate the effects of *false brinelling*. Ball bearings not in service, even when the rotor is simply sitting on the shelf in the storeroom, can be subject to *false brinelling*.

<<First Name>>... we are initiating a brief pump information email that will be sent once a week called "SIXTY SECONDS WITH SUMMIT PUMP".

We are all inundated with junk emails and we also know your time is extremely valuable... therefore we designed the message to be short, useful and informative.

We are simply asking for 60 seconds of your time in an effort to communicate what we view as useful information that will help you in your job.

If you do not care to receive these emails please feel free to select the unsubscribe link. We also welcome any feedback positive or negative.

Thank you!

The Summit Pump Team

Learn More!

Jim Elsey's Pumps and Systems Articles

We are your **Best Value by
"providing quality pumping
products in a timely manner,
at a fair market price."**



Copyright © 2018 Summit Pump Inc., All rights reserved.

Want to change how you receive these emails?
You can [update your preferences](#) or [unsubscribe from this list](#)

