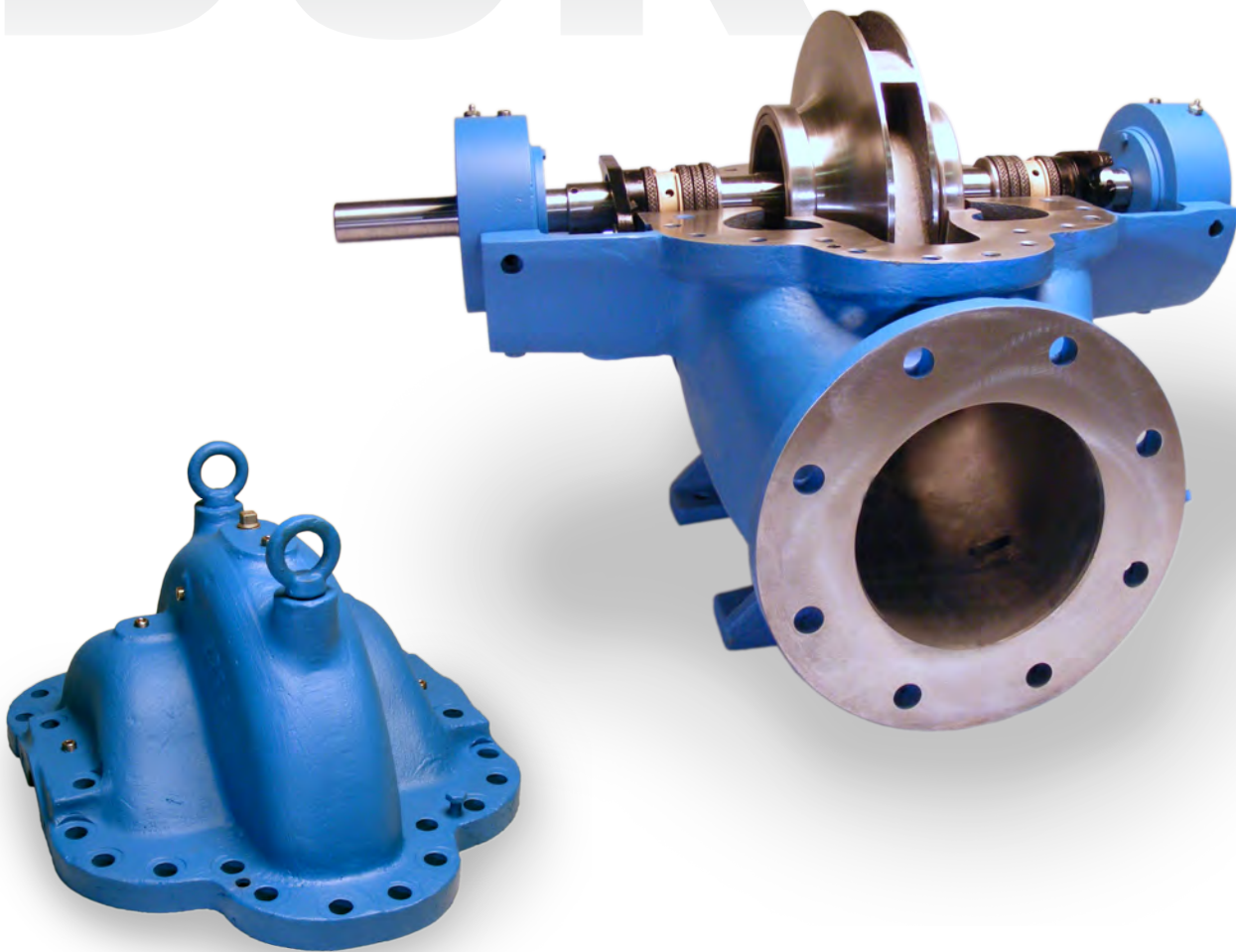


**SUMMIT**™

**DSR**

DSR



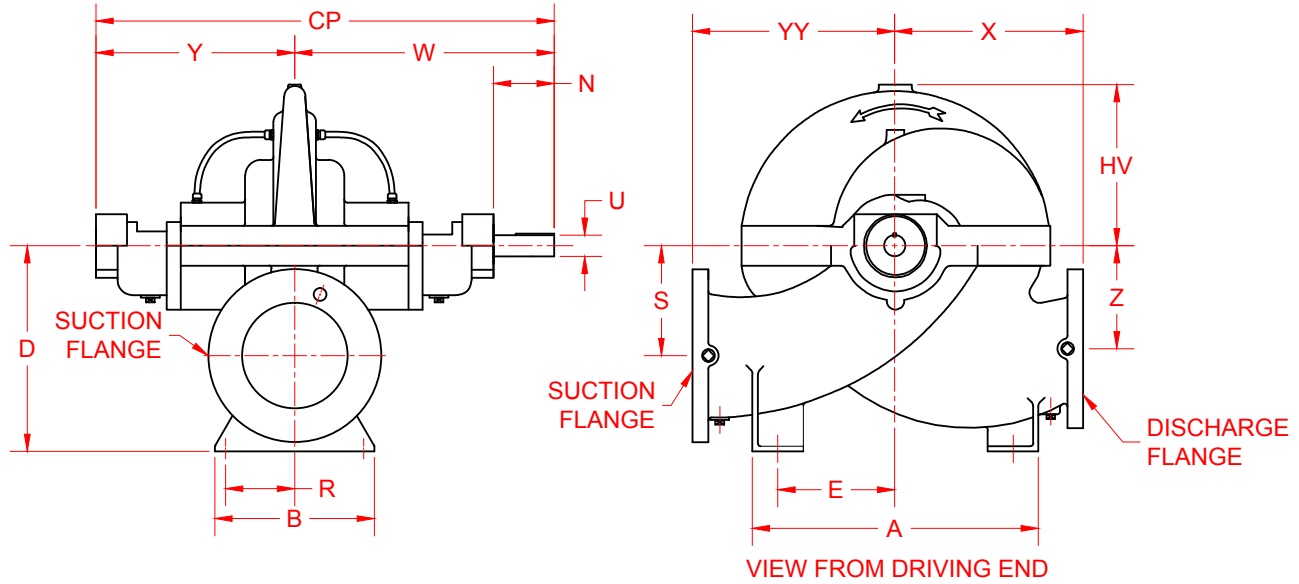
**Double Suction  
Split Case Pumps**



**SUMMIT**™  
**PUMP, Inc**

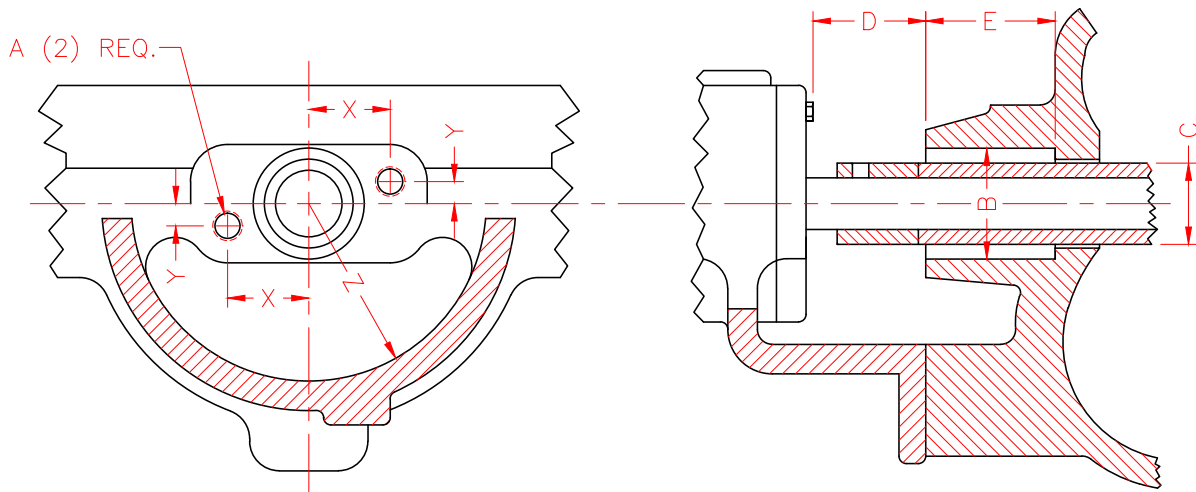
[www.SUMMITPUMP.com](http://www.SUMMITPUMP.com)

© 2016 - 2021 SUMMIT PUMP, Inc



SIZE	SUCT	DISC	X	YY	Y	W	CP	HV	D	S	Z	A	E	B	R	U	N	WEIGHT (LBS)
2.5X3-10	3	2.5	8	8.75	8.75	14.25	23	7.125	10.5	5	6.5	10	3.5	10	3.625	0.984	3.5	286
3X5-12	5	3	8.375	10.5	12	14.75	26.75	8.25	11.5	5.75	7.25	10	3.5	10	3.625	0.984	2.5	330
4X6-12	6	4	9	11	12.25	14.75	27	8.75	13	6.375	7.75	10	3.5	10	3.625	0.984	2.5	440
4X6-14	6	4	12.5	12	13	17	30	9.75	13	6.375	7.625	14	5.25	13	5.188	1.125	4	506
5X6-10	6	5	9	13	12.25	14.75	27	7.625	13	6.5	7.5	13	5.125	14.5	2.375	0.983	3.5	374
6X8-13	8	6	11.5	14	14.75	19.25	34	9.75	15	7.75	8	14	5.25	13	5.188	1.5	4.5	616
6X8-16	8	6	14.25	15.25	14.5	19.5	34	10.5	15.5	7.75	8	14	5.25	13	5.5	1.5	4.5	616
6X10-18	10	6	12.5	17	17.25	21.75	39	13	18	9	10.5	18	6.75	16	6.75	2.125	4.5	1100
8X10-14	10	8	11.5	17	14.75	19.25	34	10.75	18	8.875	10	14	5.25	13	5.19	1.5	4.5	825
10X12-16	12	10	14	18	17.25	21.75	39	12.5	21	10.5	10.5	18	6.75	16	6.75	2.125	4.5	1375
12X18-25	18	12	21	24.75	23.5	30.5	54.1	19	29	14.5	18	28	11.5	24	10.5	3.25	7.16	2948

\*ALL DIMENSIONS ARE IN INCHES



SIZE	X	Y	Z	A	B	C	D	E
2.5X3-10	1 3/8	3/4	3.00	1/2-13 UNC	1 3/4	1.125	1 3/16	1.38
3X5-12	1 9/16	3/4	3.00	1/2-13 UNC	2 1/4	1.500	2 9/16	1.50
4X6-12	1 9/16	3/4	3.00	1/2-13 UNC	2 1/4	1.500	2 9/16	1.5
4X6-14	2 1/8	3/4	3.56	1/2-13 UNC	2 7/16	1.625	2 8/16	2.06
5X6-10	1 9/16	3/4	3.00	1/2-13 UNC	2 1/4	1.500	2 9/16	1.5
6X8-13	2 21/32	3/4	4.00	1/2-13 UNC	2 13/16	2.000	3 1/16	2.56
6X8-16	2 21/32	3/4	4.00	1/2-13 UNC	2 13/16	2.000	3 1/16	2.56
6X10-18	2 7/8	1 1/4	4.50	5/8-11 UNC	4	3.000	3 7/16	2.88
8X10-14	2 21/32	3/4	4.00	1/2-13 UNC	2 13/16	2.000	3 1/16	2.56
10X12-16	2 7/8	1 1/4	4.50	5/8-11 UNC	4	3.000	3 7/16	2.88
12X18-25	-	-	-	-	5 1/2	4.250	-	-



www.SUMMITPUMP.com

\*ALL DIMENSIONS ARE IN INCHES