

SUMMIT™

VV75

VV75



**Internal
Gear Pump**



SUMMIT™
PUMP, Inc

www.SUMMITPUMP.com

© 2019 - 2022 SUMMIT PUMP, Inc

FEATURES & BENEFITS

Internal gear pumps offer a wide range of benefits. Although, they are not meant to handle solids, they are a good option for **abrasive applications**.



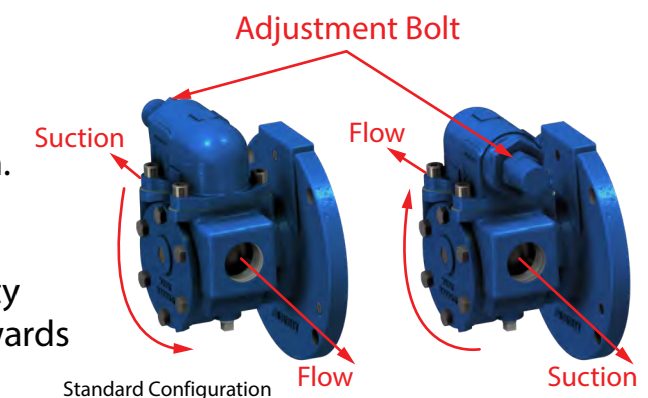
The VV75 Pump is designed for **higher operating speeds**, with direct motor connection via NEMA Frame.

VV75G, VV75GG, and VV75H, VV75HJ, VV75HL achieve maximum interchangeability through their ability to swap out internal parts. In addition, pressure relief valves are configured uniformly through Summit Pump's gear pump line to complement interchangeability.

NEMA frame mounting is what sets the VV75 apart from the rest of the gear pump line. This makes assembly simple and quick with no alignment needed. A direct connection to the motor shaft increases the overall efficiency because there are no losses with couplings, alignment deviations or bearings. Additionally, **180 degree NPT porting** allows for simple, in line installation and reduction of line losses.

CONFIGURABILITY

VV75 has the ability to operate in either direction. Consideration must be given to the internal safety relief valve or the system's pressure release mechanism. When equipped with an internal safety relief valve, the **adjustment bolt** must be pointed towards the **suction** side of the pump for proper operation.



Internal Pressure Relief Valve
Standard on all pumps. Pressure setting is calibrated at the factory. Adjustment bolt must always point towards the suction side of the pump.

End Clearance
Set end clearance using shim adjustments.

Precision Fits
Quality controlled parts to ensure correct gear meshing and fit.

Bushings
Carbon graphite or bronze options.

Ports
Standard NPT connections.

Gauge Ports
Pre-tapped to accommodate suction and discharge gauges.

Mechanical Seal
Simple and reliable design. Also available in lip seal option. Suck back screw configurability for cleaning debris from lip seals, increasing pump longevity

Screw Jack Holes
Standard pre-tapped holes to assist in disassembly from motor.

Standard NEMA Frame Mounting
Connect the VV75 directly to the NEMA frame motor. Quicker and easier to install on site, avoiding time consuming alignments.



PERFORMANCE DATA

Standard Material - Cast Iron Pumps					
Size	VV75G	VV75GG	VV75H	VV75HJ	VV75HL
GPM	9	11.5	16	23	32
RPM	1750	1750	1750	1750	1750
Differential Max PSI	100	100	100	100	100
Temperature Range	-20°F to 350°F				
Port Sizes (NPT)	1 in	1 in	1.5 in	1.5 in	1.5 in
Appx. Shipping Weight (lbs)	17	17	24	24	26

Contact your local Summit Pump Distributor for further performance data

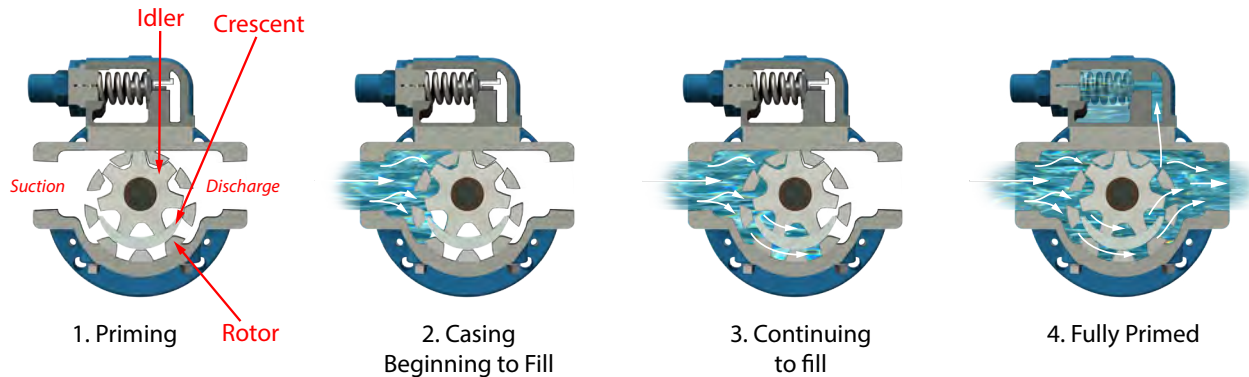


SUMMIT™ PUMP, Inc

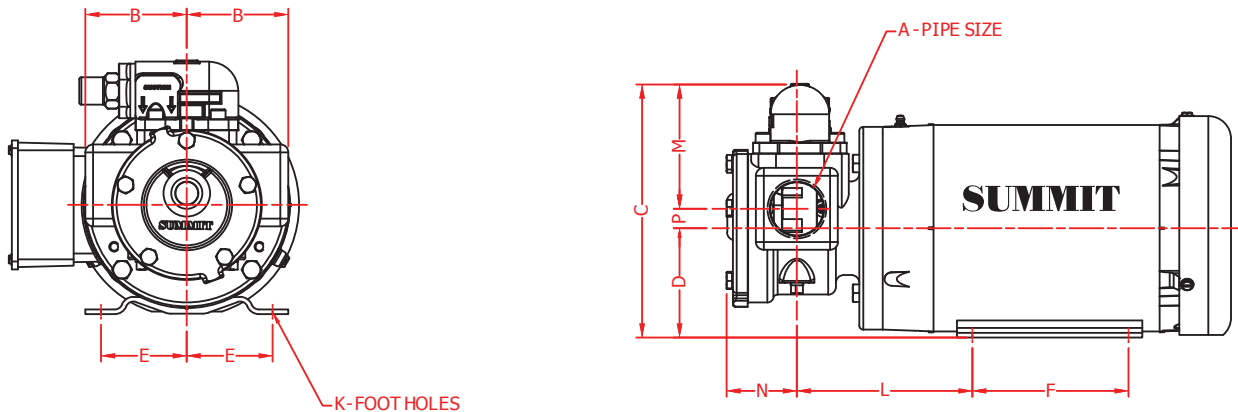
www.SUMMITPUMP.com

DESIGN PRINCIPLE

The VV75 series is a positive displacement internal gear type pump. The outer gear (rotor) is driven which turns the inner gear (idler) with its centerline offset from the rotor. This generates expanding volume near the suction port and contracting volume near the discharge, expelling the pumped product.



DIMENSIONS



Nomenclature Fields						Motor Frame	Reference Dimensions (inches)																
1 & 2	3	4	5	6	Size	A	B	C	D	E	F	G	H	J	K	L	M	N	P	U	V	W	X
VV75G VV75GG	21B, 21F, 9G, LS	C	C,B	A	56C	1.0" NPT	2.5	7.69	3.5	2.44	3	2.81	6.5	4.5	.34 SLOT	5.38	3.56	1.56	0.63	0.63	0.18	0.47	5.88
				B	143TC					4	0.34				5.69	0.88							
					145TC					5													
VV75H VV75HJ VV75HL	21B, 21F, 9G, LS	C	C,B	A	56C	1.5" NPT	3.25	8.56	3.5	2.44	3	2.75	6.5	4.5	.34 SLOT	5.31	4.44	2.18	0.63	0.63	0.18	0.47	5.88
				B	143TC					4	0.34												
					145TC					5.00													
					182C					4.50													
					184C			9.56	4.5	3.75	5.50			0.41	5.63				0.88				

