

Automatic:

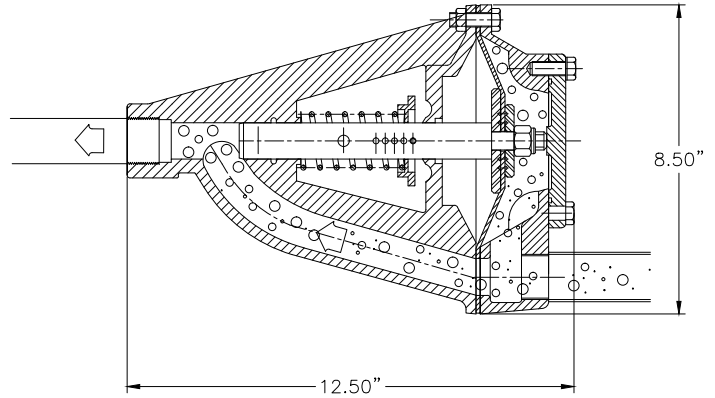
- Closes when air is fully evacuated
- Opens when flow becomes inert

Self-Cleaning:

- Deposits settle while flow is inert
- Swept away with next start-up

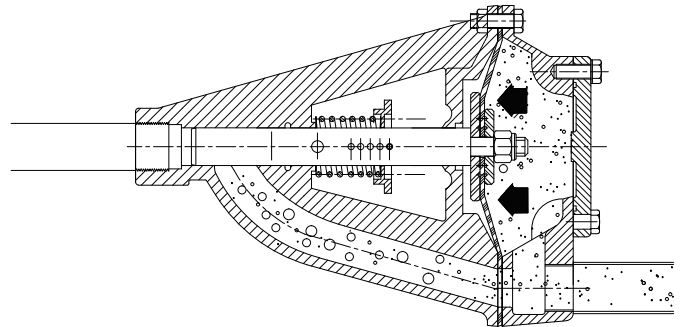
Customizable:

- Adjustable compression distance
- Interchangeable springs
- Cast Iron or Stainless



Priming Pump

Valve allows air to pass through



Fully Primed Pump

Diaphragm is pushed in fully closing the valve



Valve Selection

Valve Part Number	Pump Discharge Head	Compression Rating	Connections (in)
SPX34714A	4-7 ft (1.2-5.2 m)	10 lbs	1x1 NPT
SPX34714	18-49 ft (5.5-14.9 m)	25 lbs	1x1 NPT
SPX34715B	50+ ft (15.2+ m)	80 lbs	1x1 NPT

Automatic Air Release Valve



SUMMIT™
PUMP, Inc

www.SUMMITPUMP.com