

SUMMIT™

2175

2175



**Stock / Process
Pump**



SUMMIT™
PUMP, Inc

www.SUMMITPUMP.com

© 2016 SUMMIT PUMP, Inc

Applications

Pulp & Paper:

Cleaners
Filtrate
Liquor
Screen Rejects
Low NPSH Digester

Steel:

Cooling Water
Descaling
Slurries
Tailings

Food:

Beet & Cane Sugar
Cane Juices
Fruit Pulp
Wet Corn Milling
Brewing

General:

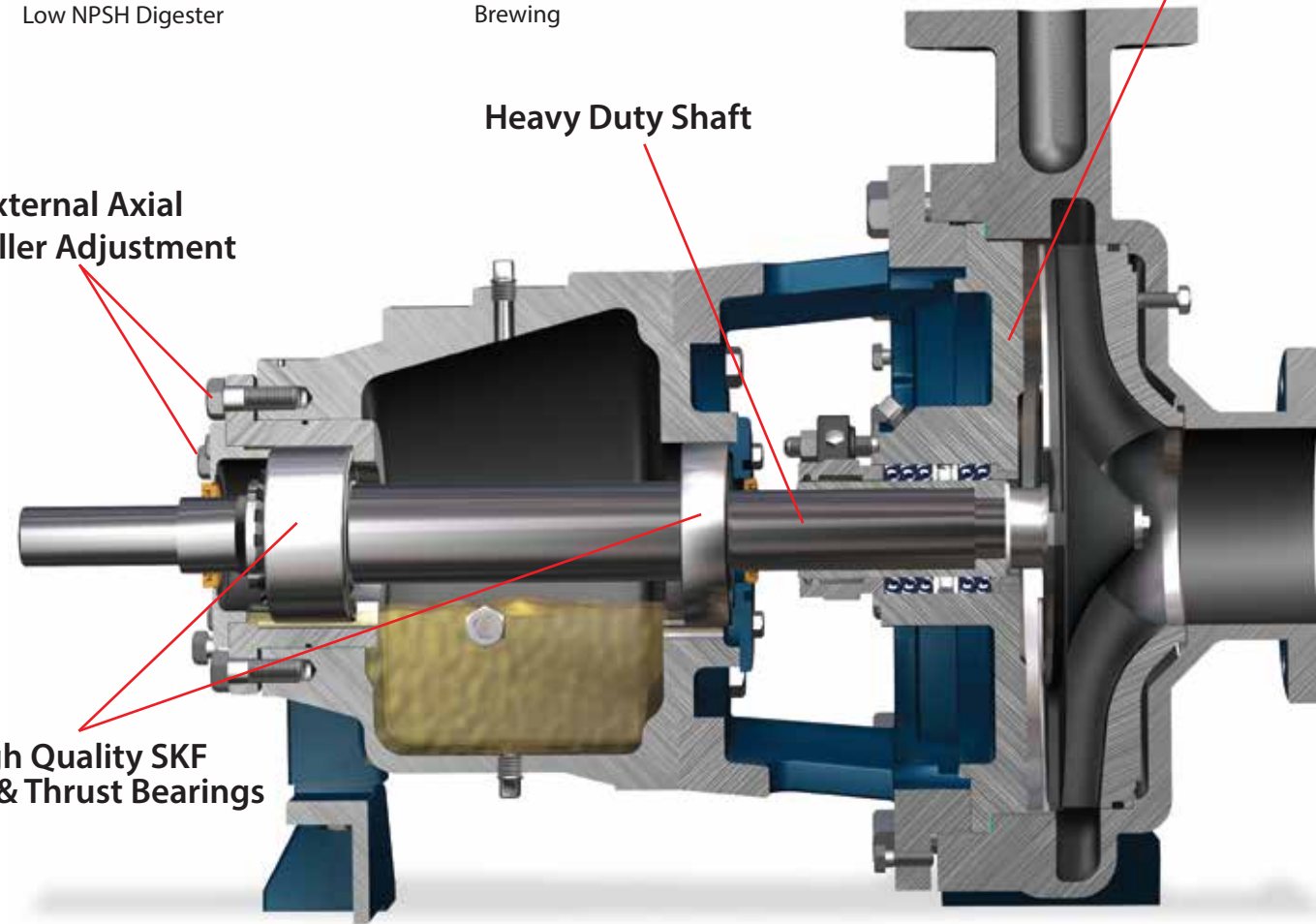
Mine Water
Waste Treatment
Textile Slurries

Open/Non-Clogging
Impeller

Heavy Duty Shaft

External Axial
Impeller Adjustment

High Quality SKF
Radial & Thrust Bearings



Features

- Rear Pull-out Design
- Interchangeability of Parts
- Sacrificial Wear Items
- Double Volute for Larger Sized Pumps
- Fully Open Impeller

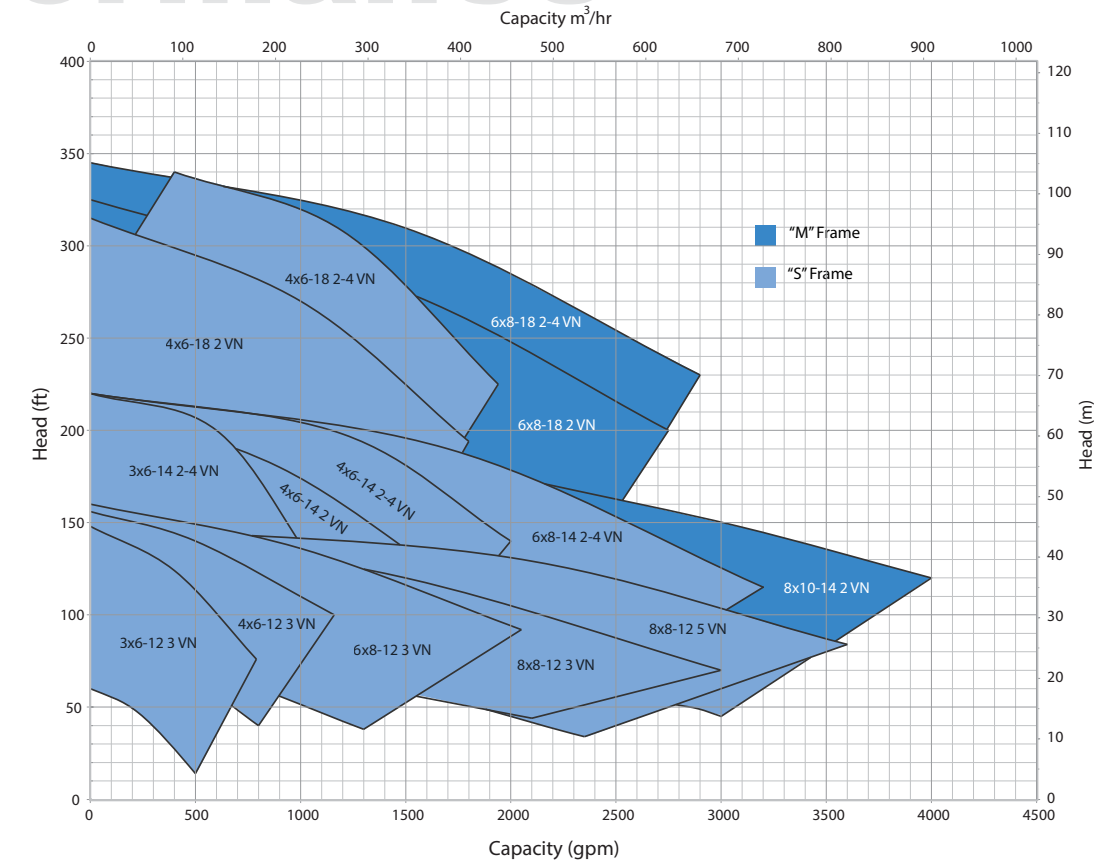


SUMMIT™
PUMP, Inc

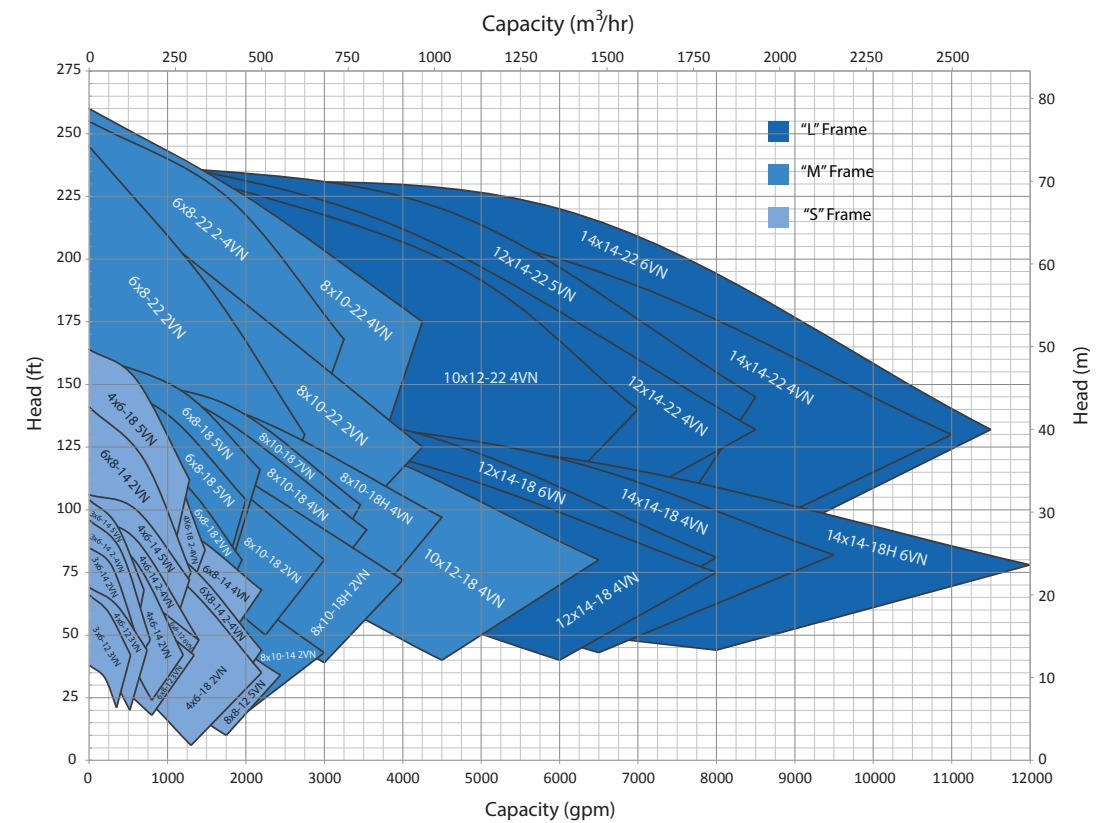
www.SUMMITPUMP.com

Performance

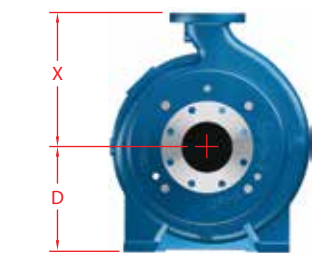
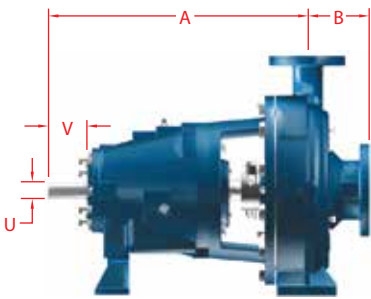
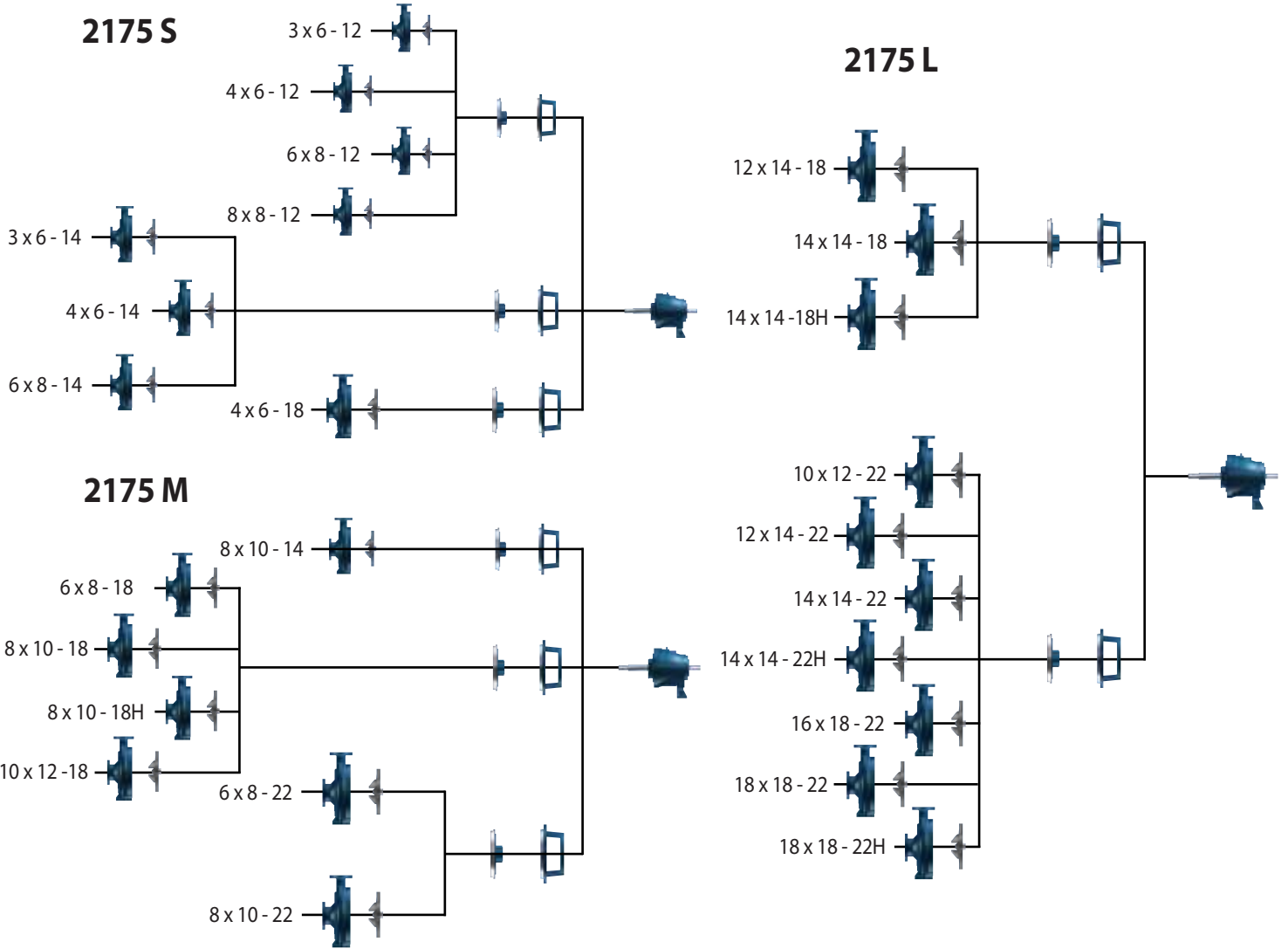
1780 RPM



1180 RPM



Model 2175 Interchangeability and Dimensional Chart



Pump Dimensions												
Pump Frame	Pump Size	Dis.	Suc.	X	D	B	A	Shaft				
								U	Key	V		
S	3X6-12	3	6	13	12.50	7.25	32.50	1.875	1/2	4.87		
	4X6-12	4	6	14.5								
	6X8-12	6	8	16								
	8X8-12	8	8	19	14.50	8.12	33.00					
	3X6-14	3	6	13								
	4X6-14	4	6	14.5								
M	4X6-18	4	6	16	12.50	7.25	32.50	2.375	5/8	5.00		
	6X8-14	6	8	16								
	6X8-18	6	8	18	14.50	7.25	32.50					
	6X8-22	6	8	21								
	8X10-14	8	10	19	14.50	8.12	33.00					
	8X10-18	8	10	21								
	8X10-18H	8	10	21	17.00	8.12	33.00					
	8X10-22	8	10	23								
10X12-18	10	12	23	20.00	20.00	8.12	33.00	3.375	7/8	5.50		
10X12-22	10	12	25									
12X14-18	12	14	25									
12X14-22	12	14	27									
14X14-18	14	14	27									
14X14-18H	14	14	27									
14X14-22	14	14	30									
14X14-22H	14	14	30									
16X18-22	16	18	32	28.00							12.75	34.68
18X18-22	18	18	34								9.87	33.62
18X18-22H	18	18	34		16.62							