

Internal Gear Pump Application Data Sheet

Document No: SP-SAL-009

Revision: 20.2 (7/6/2020)



Name _____ Date _____
 Company _____ Phone _____
 Address _____ Fax _____
 City _____ State _____ Zip _____ Email _____

Equipment # _____

Project # _____

LIQUID PROPERTIES

Liquid _____
 *Fluid Temp. (F) _____ Max _____ Min _____
 *Viscosity (SSU) @ Normal Temp. _____
 at Maximum Temp. _____ at Minimum Temp. _____
 Specific Gravity _____
 Vapor pressure (psi) _____ pH _____
 *Solids (%) _____ Max Size (in) _____ Avg. Size (in) _____
 Abrasiveness: Low (lime slurry) Medium High (gravel)
 Other _____

SYSTEM

*Design Conditions _____ GPM @ _____ psi (discharge)
 Max. Conditions _____ GPM @ _____ psi
 Min. Conditions _____ GPM @ _____ psi
 NPSHa _____ ft *Suction Pressure _____ psi
 Lubricating Fluid: Yes _____ No _____
 Min. Static Suction Head (for flooded suction installation) _____ ft
 Max. Static Suction Lift (for suction lift installation) _____ ft
 Suction Pipe Submergence _____ ft
 Duty: 24/7 8 hrs Intermittent
 Other _____

MOTOR REQUIREMENTS

Enclosure: TEFC Washdown
 Exp Proof: Class _____ Div _____ Group _____
 Drive Type: Direct Drive VFD Integral Gear Belt(s)
 Pump Shaft Speed: _____ RPM Motor Speed: _____ RPM
 _____ HP _____ Voltage Phase/Hz _____ / _____
 Other _____

MOUNTING/BASEPLATE

Baseplate: Fabricated Channel
 Coupling: Spacer
 Other _____

EXISTING PUMP DATA

Mfg and Model _____
 Size _____ Reason for Replacement _____
 Ports: Tapped Flanged Port Size _____ (in)
 Other/Additional Comments _____

Internal (Safety) Relief Valve

Internal (Safety) Relief Valve: Yes No
 Head Type (If no valve): Valve Type with Port Covers
 Plain Type - no Ports for Valve
 Pressure Setting: Standard Other
 Specify Set Pressure _____
 (Note: Set pressure is when poppet becomes fully open)

*Required items for quote

SEALING OPTIONS

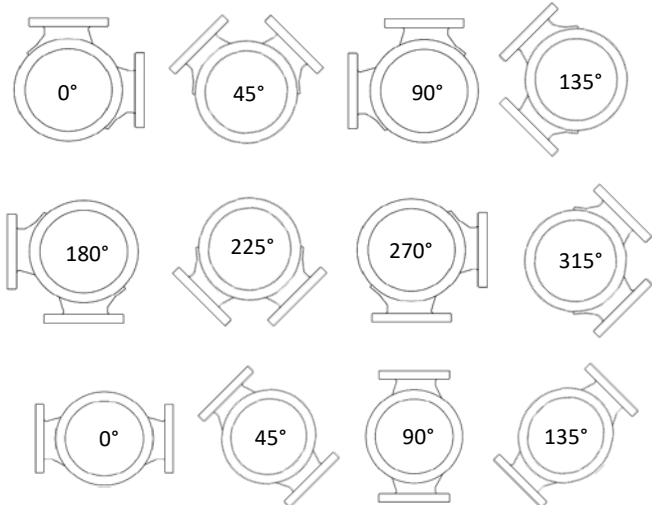
Packing
 Mechanical Seal
 Carbon Ni-Resist Buna
 Carbon Ni-Resist FKM
 Carbon Ni-Resist PTFE
 Seal Location: (Mechanical Seal only)
 1: In Stuffing Box 2: Behind the Rotor

MATERIAL OF CONSTRUCTION

External Components: C: Cast Iron D: Ductile Iron
 W: Cast Steel S: Stainless Steel
 (Material selection has predefined internal materials, see corresponding manual)
 Bushing Materials: C: Carbon Graphite B: Bronze
 O-Rings: Buna FKM

Configuration

Rotation: Clockwise (standard) Anti-Clockwise
 (As viewed from drive end of pump)
 Casing Orientation (if Applicable): (As viewed from drive end of pump)



Trims and Extra End Clearances

If applicable, do you need Summit Pump to add extra clearances to the rotor and idler due to high viscosity and/or temperature?
 Yes No Unknown
 If applicable, do you need Summit Pump to add extra end clearance, due to high viscosity and/or temperature?
 Yes No Unknown
 Per request, specify custom clearances (if desired). _____

Internal Gear Pump Application Data Sheet

Document No: SP-SAL-009

Revision: 20.2 (7/6/2020)

Name _____

Date _____

Company _____

Phone _____

Address _____

Fax _____

City _____ State _____ Zip _____

Email _____



Equipment # _____

Project # _____

SYSTEM/PUMP SKETCH