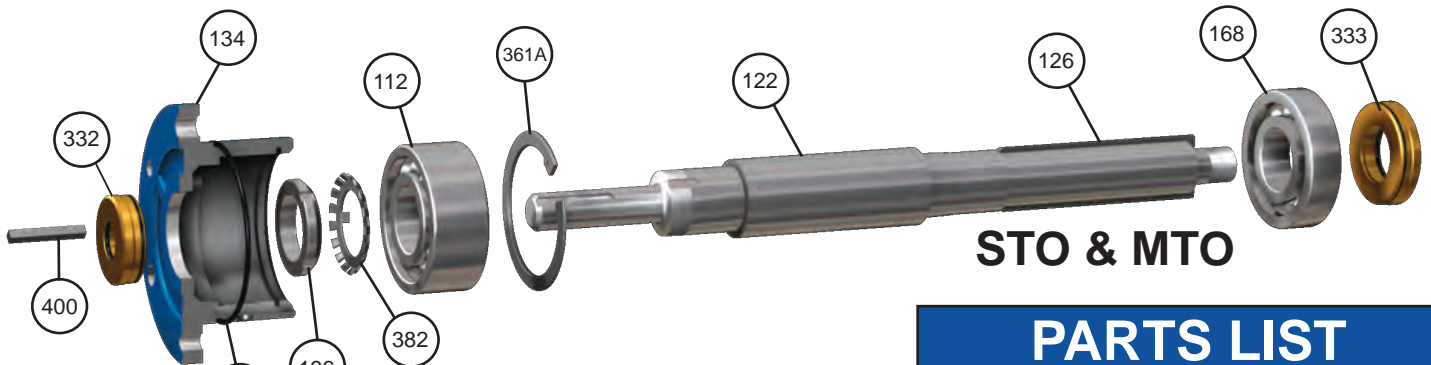
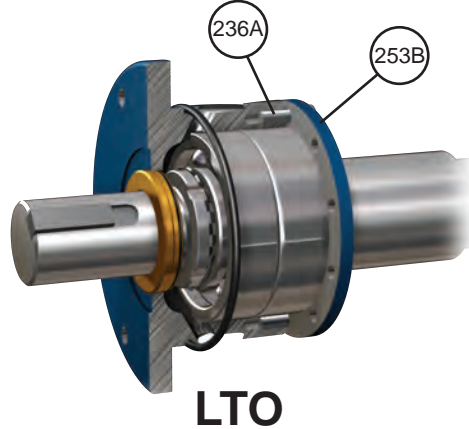


# SUMMIT™

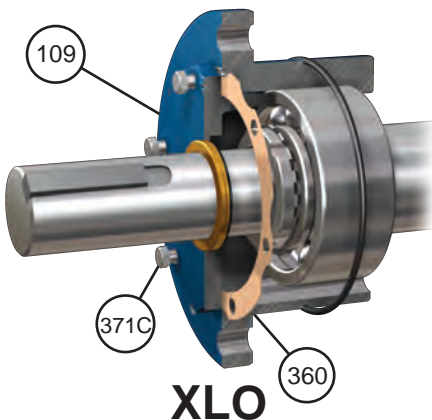
# 2196 SHAFT KIT



**STO & MTO**



**LTO**



**XLO**

- Ground finish shaft & sleeve minimize runout
- Subassembly simplifies maintenance & inventory
- Quality SKF® bearings increase pump life
- Quality hybrid bearing isolators protect your pump's bearings
- Fully interchangeable with existing Summit™ and Goulds® Power Ends

## PARTS LIST

ITEM NUMBER	DESCRIPTION
109	BRG END COVER, OB
112	BEARING, THRUST, OB
122	SHAFT, SLEEVE TYPE
122	SHAFT, SOLID TYPE
126	SLEEVE
134	BEARING HOUSING
136	BEARING LOCKNUT
168	BEARING, RADIAL, IB
236A	BOLT, CLAMP RING
253B	CLAMP RING
332	LABYRINTH SEAL, OB
333	LABYRINTH SEAL, IB
360	GASKET, END COVER
361A	RETAINING RING
371C	BOLT, COVER TO HSG
382	LOCKWASHER
400	COUPLING KEY
496	O-RING, BRG HOUSING

## SHAFT KITS

FRAME	SUMMIT NUMBER	MATERIALS
STO	KITSHAFT-96S-4140	4140 SHAFT/316SS SLEEVE
	KITSHAFT-96S-316	316SS SHAFT/316SS SLEEVE
	KITSHAFT-96S-SOLID	316SS SOLID SHAFT
MTO	KITSHAFT-96M-4140	4140 SHAFT/316SS SLEEVE
	KITSHAFT-96M-316	316SS SHAFT/316SS SLEEVE
	KITSHAFT-96M-SOLID	316SS SOLID SHAFT
LTO	KITSHAFT-96L-4140	4140 SHAFT/316SS SLEEVE
	KITSHAFT-96L-316	316SS SHAFT/316SS SLEEVE
	KITSHAFT-96L-SOLID	316SS SOLID SHAFT
XLO	KITSHAFT-96X-4140	4140 SHAFT/316SS SLEEVE
	KITSHAFT-96X-316	316SS SHAFT/316SS SLEEVE
	KITSHAFT-96X-SOLID	316SS SOLID SHAFT
XLO17	KITSHAFT-96X17-4140	4140 SHAFT/316SS SLEEVE
	KITSHAFT-96X17-316	316SS SHAFT/316SS SLEEVE
	KITSHAFT-96X17-SOLID	316SS SOLID SHAFT



**SUMMIT™**  
PUMP, Inc

www.SUMMITPUMP.com