

# Internal Gear Pump Application Data Sheet

Document No: SP-SAL-010

Revision: 20.2 (7/6/2020)



Name \_\_\_\_\_ Date \_\_\_\_\_  
 Company \_\_\_\_\_ Phone \_\_\_\_\_  
 Address \_\_\_\_\_ Fax \_\_\_\_\_  
 City \_\_\_\_\_ State \_\_\_\_\_ Zip \_\_\_\_\_ Email \_\_\_\_\_

Equipment # \_\_\_\_\_

Project # \_\_\_\_\_

### LIQUID PROPERTIES

Liquid \_\_\_\_\_  
 \*Fluid Temp. (°C) \_\_\_\_\_ Max \_\_\_\_\_ Min \_\_\_\_\_  
 \*Viscosity (SSU) @ Normal Temp. \_\_\_\_\_  
 at Maximum Temp. \_\_\_\_\_ at Minimum Temp. \_\_\_\_\_  
 Specific Gravity \_\_\_\_\_  
 Vapor pressure (kPa) \_\_\_\_\_ pH \_\_\_\_\_  
 \*Solids (%) \_\_\_\_\_ Max Size (mm) \_\_\_\_\_ Avg. Size (mm) \_\_\_\_\_  
 Abrasiveness: Low (lime slurry) Medium High (gravel)  
 Other \_\_\_\_\_

### SYSTEM

\*Design Conditions \_\_\_\_\_ m<sup>3</sup>/hr @ \_\_\_\_\_ kPa (discharge)  
 Max. Conditions \_\_\_\_\_ m<sup>3</sup>/hr @ \_\_\_\_\_ kPa  
 Min. Conditions \_\_\_\_\_ m<sup>3</sup>/hr @ \_\_\_\_\_ kPa  
 NPSHa \_\_\_\_\_ m \*Suction Pressure \_\_\_\_\_ kPa  
 Lubricating Fluid: Yes \_\_\_\_\_ No \_\_\_\_\_  
 Min. Static Suction Head (for flooded suction installation) \_\_\_\_\_ m  
 Max. Static Suction Lift ( for suction lift installation) \_\_\_\_\_ m  
 Suction Pipe Submergence \_\_\_\_\_ m  
 Duty: 24/7 8 hrs Intermittent  
 Other \_\_\_\_\_

### MOTOR REQUIREMENTS

Enclosure: TEFC Washdown  
 Exp Proof: Class \_\_\_\_\_ Div \_\_\_\_\_ Group \_\_\_\_\_  
 Drive Type: Direct Drive VFD Integral Gear Belt(s)  
 Pump Shaft Speed: \_\_\_\_\_ RPM Motor Speed: \_\_\_\_\_ RPM  
 \_\_\_\_\_ HP \_\_\_\_\_ Voltage Phase/Hz \_\_\_\_\_ / \_\_\_\_\_  
 Other \_\_\_\_\_

### MOUNTING/BASEPLATE

Baseplate: Fabricated Channel  
 Coupling: Spacer  
 Other \_\_\_\_\_

### EXISTING PUMP DATA

Mfg and Model \_\_\_\_\_  
 Size \_\_\_\_\_ Reason for Replacement \_\_\_\_\_  
 Ports: Tapped Flanged Port Size \_\_\_\_\_ (mm)  
 Other/Additional Comments \_\_\_\_\_

### Internal (Safety) Relief Valve

Internal (Safety) Relief Valve: Yes No  
 Head Type (If no valve): Valve Type with Port Covers  
 Plain Type - no Ports for Valve  
 Pressure Setting: Standard Other  
 Specify Set Pressure \_\_\_\_\_  
 (Note: Set pressure is when poppet becomes fully open)

\*Required items for quote

### SEALING OPTIONS

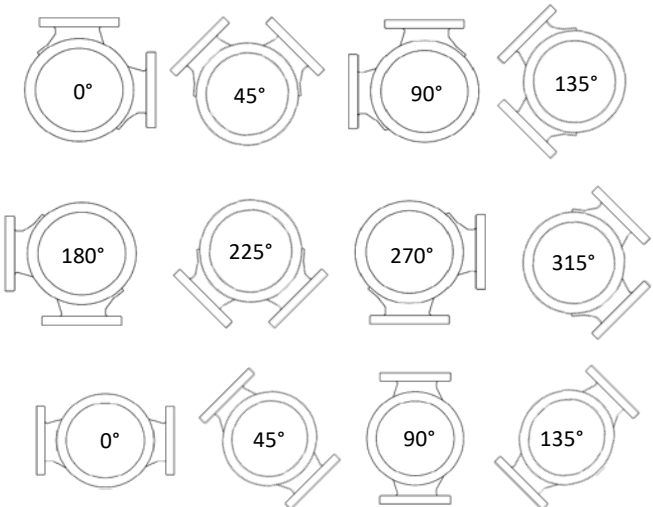
Packing  
 Mechanical Seal  
 Carbon Ni-Resist Buna  
 Carbon Ni-Resist FKM  
 Carbon Ni-Resist PTFE  
 Seal Location: (Mechanical Seal only)  
 1: In Stuffing Box 2: Behind the Rotor

### MATERIAL OF CONSTRUCTION

External Components: C: Cast Iron D: Ductile Iron  
 W: Cast Steel S: Stainless Steel  
 (Material selection has predefined internal materials, see corresponding manual)  
 Bushing Materials: C: Carbon Graphite B: Bronze  
 O-Rings: Buna FKM

### Configuration

Rotation: Clockwise (standard) Anti-Clockwise  
 (As viewed from drive end of pump)  
 Casing Orientation (if Applicable): (As viewed from drive end of pump)



### Trims and Extra End Clearances

If applicable, do you need Summit Pump to add extra clearances to the rotor and idler due to high viscosity and/or temperature?  
 Yes No Unknown  
 If applicable, do you need Summit Pump to add extra end clearance, due to high viscosity and/or temperature?  
 Yes No Unknown  
 Per request, specify custom clearances (if desired). \_\_\_\_\_

# Internal Gear Pump Application Data Sheet

Document No: SP-SAL-010

Revision: 20.2 (7/6/2020)

Name \_\_\_\_\_

Date \_\_\_\_\_

Company \_\_\_\_\_

Phone \_\_\_\_\_

Address \_\_\_\_\_

Fax \_\_\_\_\_

City \_\_\_\_\_ State \_\_\_\_\_ Zip \_\_\_\_\_

Email \_\_\_\_\_



Equipment # \_\_\_\_\_

Project # \_\_\_\_\_

## SYSTEM/PUMP SKETCH