

SUMMIT™

2996



2996



CAPACITY
TO 1,400 GPM



TEMPERATURE
TO 500°F



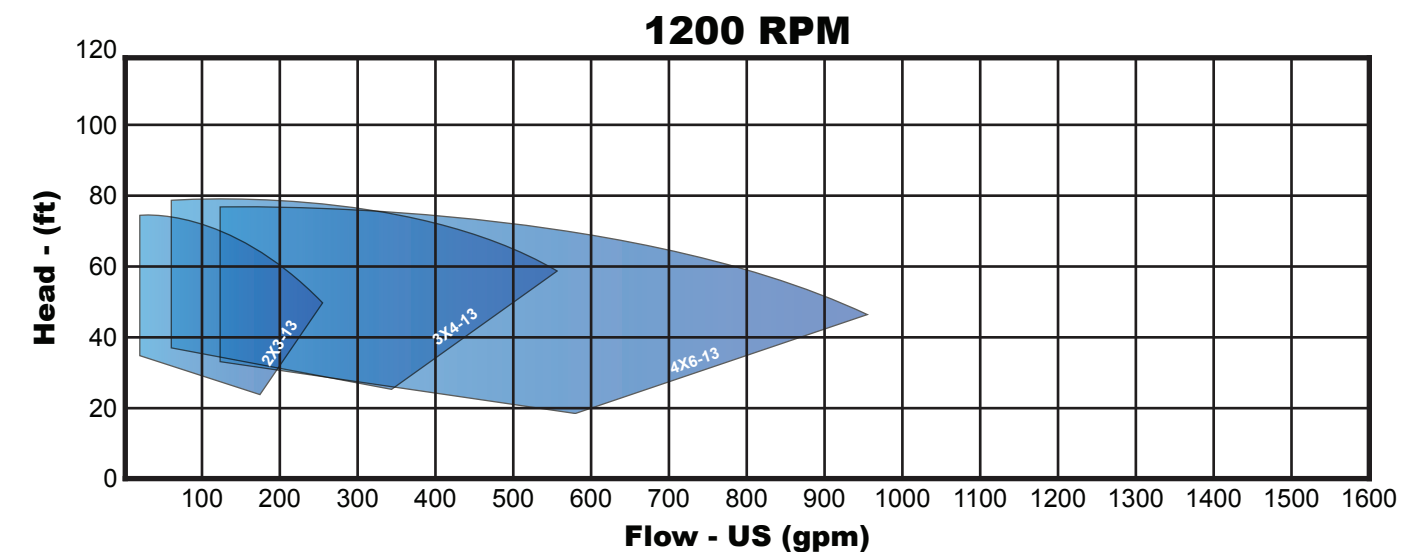
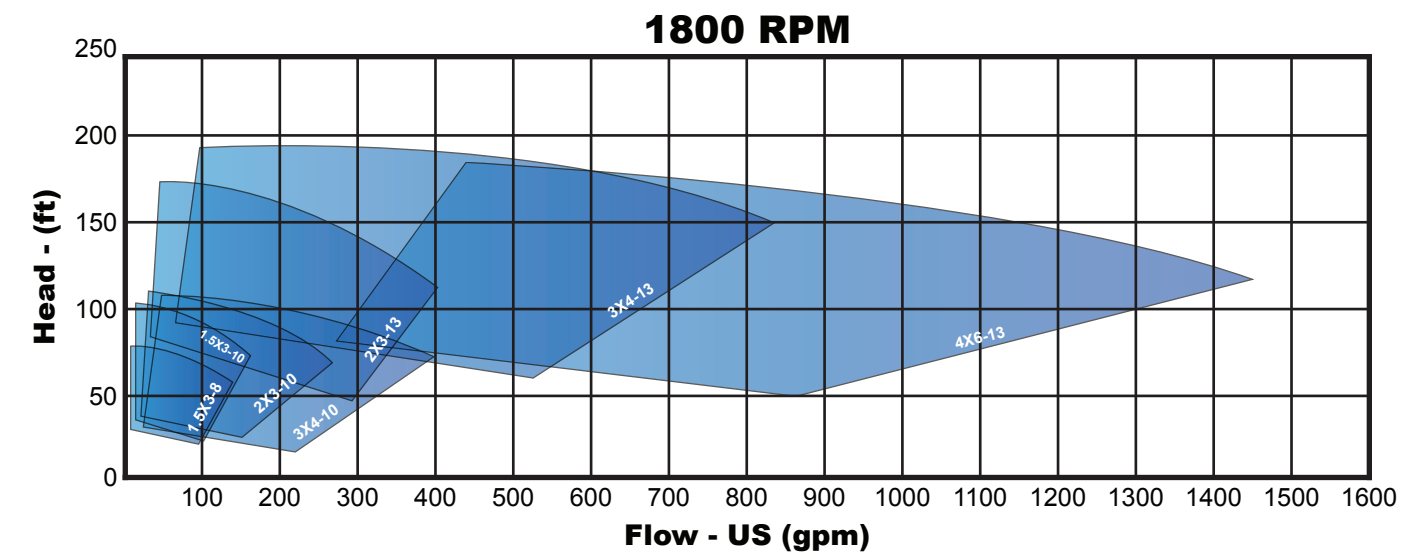
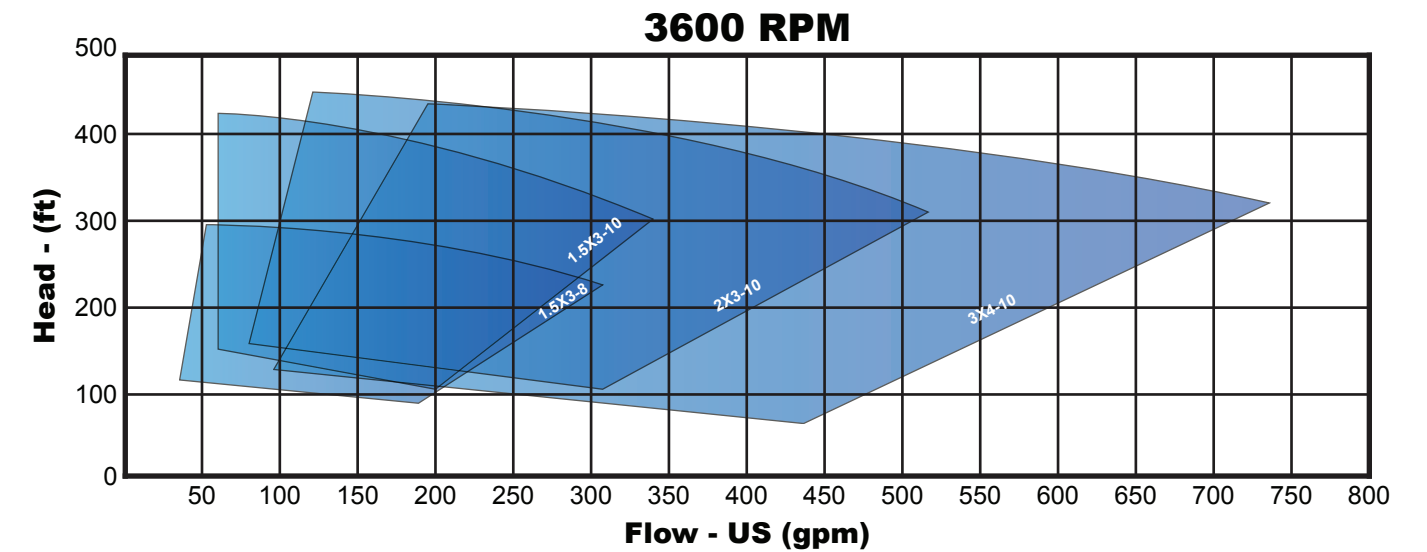
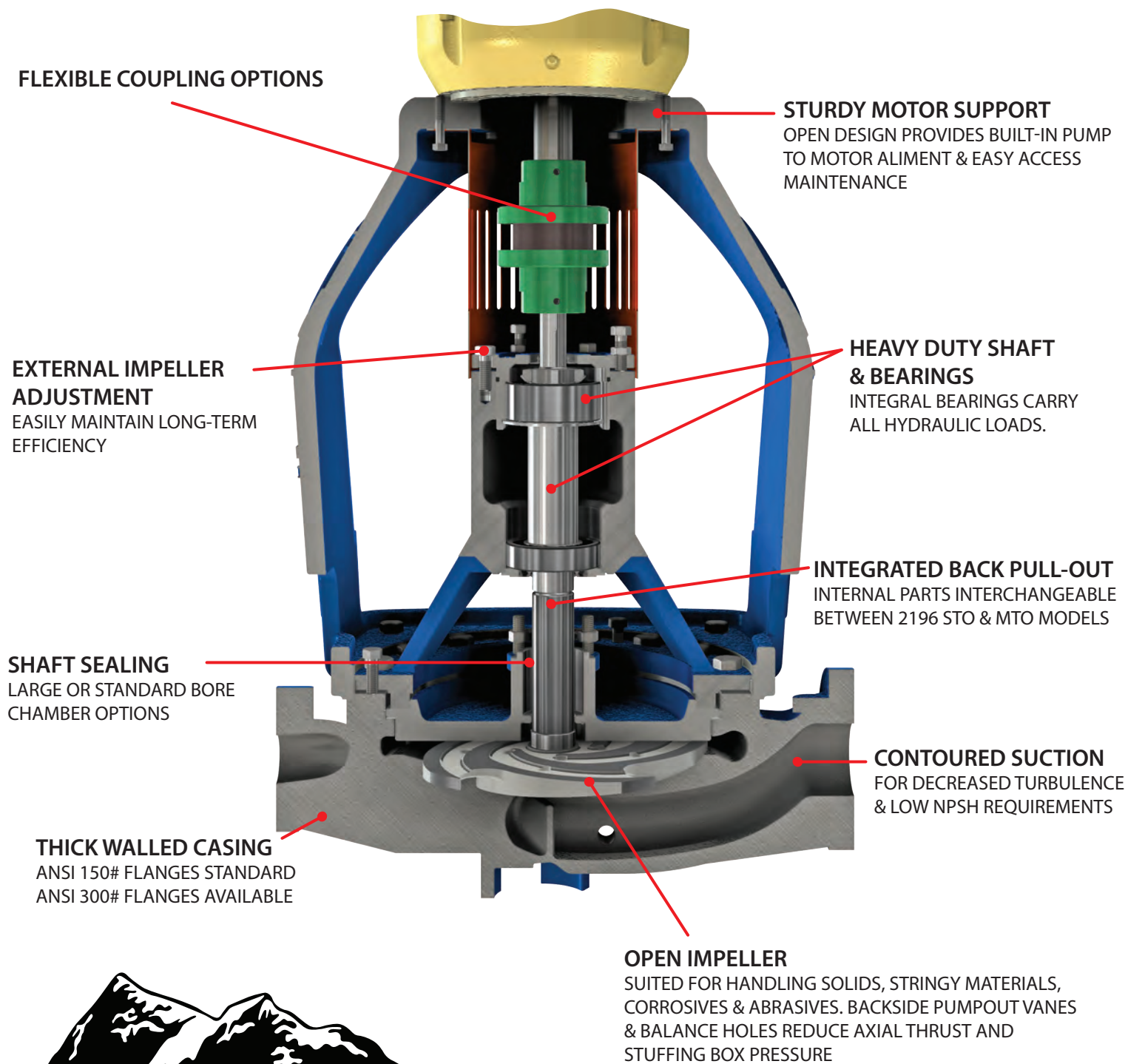
HEAD
TO 190 FEET

In-Line Process Pump



SUMMIT™
PUMP, Inc

www.SUMMITPUMP.com



Note: Performance & Sizing curves are provided for reference only.
For specific information, contact your distributor or the manufacturer.



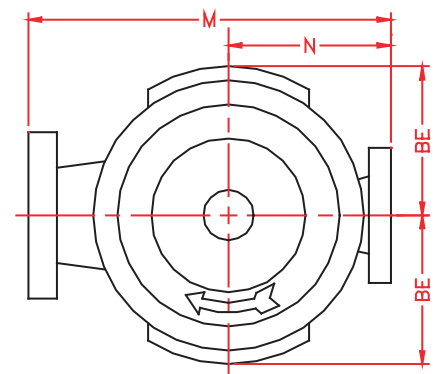
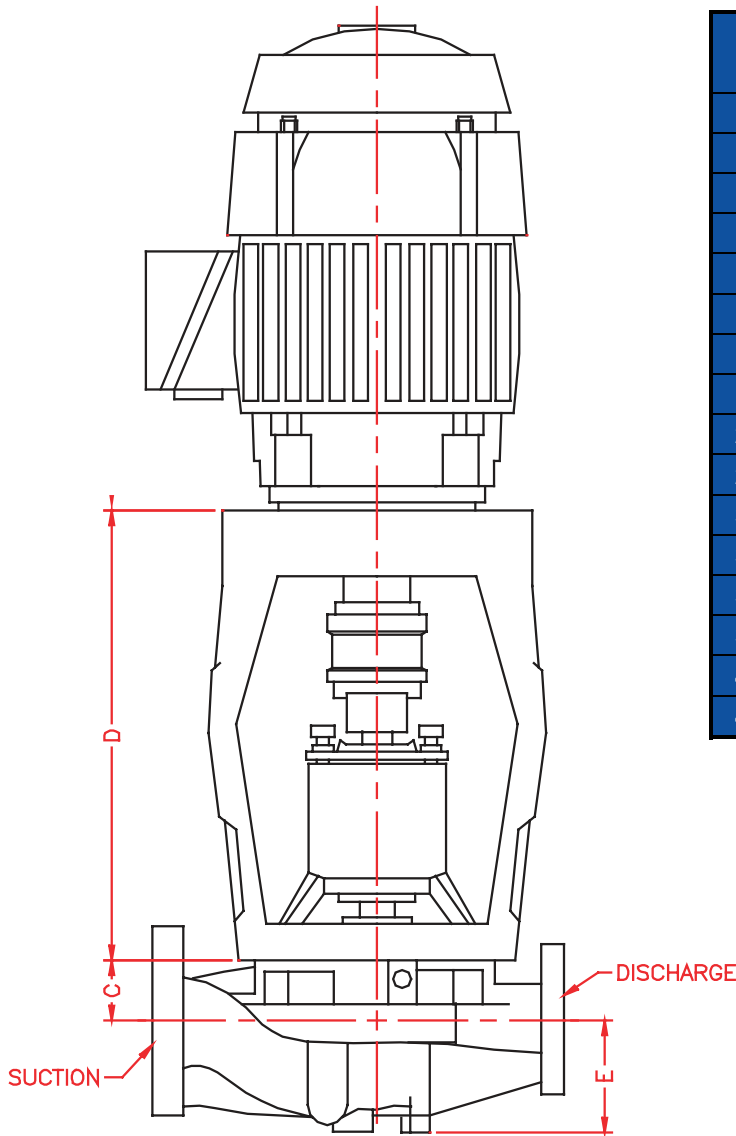
SUMMIT™
PUMP, Inc

www.SUMMITPUMP.com

Model 2996 Dimensional Data

DIMENSIONS DETERMINED BY MOTOR

| | D | | | |
|--------|--------|--------|---------|---------|
| | STO 6" | STO 8" | MTO 10" | MTO 13" |
| 143TC | 17.5 | N/A | N/A | |
| 145TC | 17.5 | N/A | N/A | |
| 182TC | 19.25 | 19.9 | 25 | |
| 184TC | 19.25 | 19.9 | 25 | |
| 213TC | 19.25 | 19.9 | 25 | |
| 215TC | 19.25 | 19.9 | 25 | |
| 254TC | 19.25 | 19.9 | 25 | |
| 256TC | 19.25 | 19.9 | 25 | |
| 284TSC | 19.25 | 19.9 | 25 | |
| 286TSC | 19.25 | 19.9 | 25 | |
| 324TSC | N/A | N/A | 27 | |
| 326TSC | N/A | N/A | 27 | |
| 364TSC | N/A | N/A | 27 | |
| 365TSC | N/A | N/A | 27 | |
| 404TSC | N/A | N/A | 27 | |
| 405TSC | N/A | N/A | 27 | |



PUMP DIMENSIONS

| Pump Frame | Pump Size | Discharge (in) | Suction (in) | C inch (MM) | E inch (MM) | M inch (MM) | N inch (MM) | BE inch (MM) | Pump Weight (Less Motor) LBS (KGS) |
|------------|-----------|----------------|--------------|--------------|--------------|--------------|--------------|--------------|------------------------------------|
| STO | 1.5X2-6 | 1 1/2 | 2 | 2 1/8 (54) | 4 1/2 (114) | 15 (381) | 6 3/4 (171) | 6 1/2 (165) | 190 (86) |
| | 2X3-6 | 2 | 3 | 2 3/16 (56) | 4 7/8 (1118) | 17 (432) | 7 1/2 (191) | 6 1/2 (165) | 205 (93) |
| | 1.5X3-8 | 1 1/2 | 3 | 1 11/16 (43) | 5 1/4 (133) | 19 (483) | 8 3/8 (213) | 6 5/8 (168) | 210 (95) |
| MTO | 1.5X3-10 | 1 1/2 | 3 | 2 3/8 (60) | 5 (127) | 18 7/8 (479) | 9 3/16 (233) | 10 (254) | 380 (173) |
| | 2X3-10 | 2 | 3 | 2 1/2 (64) | 5 1/4 (133) | 20 (508) | 9 1/2 (241) | 10 (254) | 390 (177) |
| | 3X4-10 | 3 | 4 | 2 5/8 (67) | 6 (152) | 25 (635) | 11 1/2 (292) | 10 (254) | 430 (195) |
| | 1.5X3-13 | 1 1/2 | 3 | 2 3/8 (60) | 5 5/8 (143) | 24 (610) | 11 1/2 (292) | 10 (254) | 460 (209) |
| | 2X3-13 | 2 | 3 | 2 1/2 (64) | 5 3/4 (146) | 24 (610) | 11 1/2 (292) | 10 (254) | 490 (223) |
| | 3X4-13 | 3 | 4 | 2 5/8 (67) | 6 7/8 (175) | 28 (711) | 13 (330) | 10 (254) | 520 (236) |
| | 4X6-13 | 4 | 6 | 2 3/4 (70) | 8 1/2 (216) | 30 (762) | 14 (356) | 10 (254) | 610 (277) |